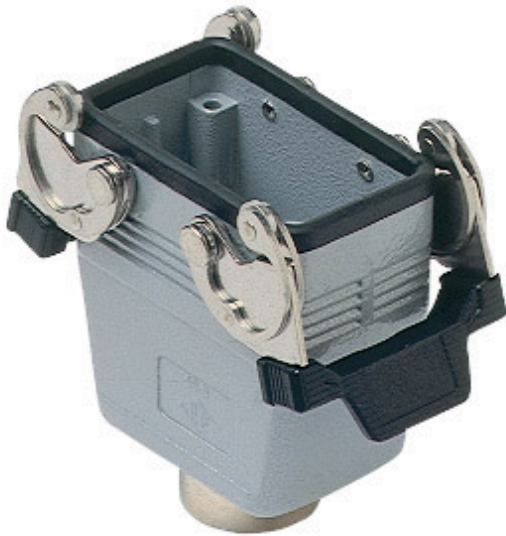


Part number

CAV 10 G



Brief description:

hoods with two levers, size "57.27", top entry, Pg21, metal version, IP66

Product description

Version	metal version
Series	hoods with two levers
Product type	with 2 levers
Variant	top entry
Style	high construction
Family	CLASS enclosures
Size	size "57.27"

Technical data

Material	metal
IP degree of protection	IP66 (and IP69K DIN 40050 - 9)
Cable entry	Pg21

Further technical details

Weight	296,00 g
---------------	----------

Approvals / Standards

Quality mark	 (type:4/4X/12),  , EAC
Conformity	CQC, CE

General ordering information

EAN13 code	8015747009218
Tariff number	85369095

Packaging Information

Packaging length	240,00 mm
Packaging height	120,00 mm
Packaging width	355,00 mm
Packaging weight	2,96 kg
Packaging volume	10,22 dm ³
Packaging description	Carton box
Packaging quantity	10 Pcs
Packaging EAN code	8015747225977
Sub-packaging weight	1,48 kg
Sub-packaging description	Plastic pakaging
Sub-packaging quantity	5 Pcs
Sub-packaging EAN barcode	8015747009225

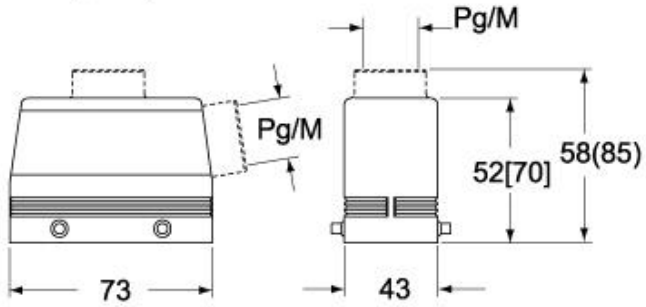
Part number

CAV 10 G

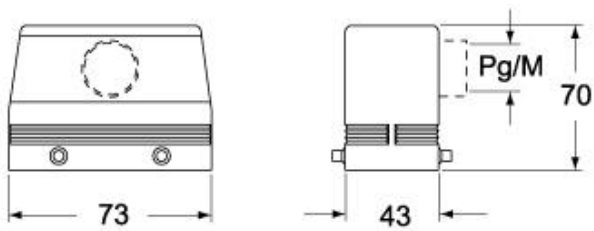


Catalogue drawings

**CHO [CAO] CHV (CAV) - MHO [MAO]
MHV (MAV)**



CAF - MAF/MFF



CHV G (CAV G) - MHV G (MAV G) - [MFV G]

